

EMV LX Series LCD Video wall

49 & 55 Inch ; 1.8mm & 3.5mm Bezel

Ultimate Design

Electronics Media's EMV LX series LCD Video wall is designed for 24/7 Command control room/ Operation room Environments and Broadcast backdrop Video wall, High quality LCD panel with LED backlit and high brightness.

Ultra-narrow border design - 1.8mm & 3.5mm Pixel to pixel bezel. Full-screen high definition display up to 1080P, Unique cell-based, modular design, Which can splice as a liquid crystal wall can also be used alone , Long-life, high stability, and focus on the special display, stable operation, Less maintenance costs, a wealth of input and output interface HDMI Display Port, VGA, DVI, YPbPr.

Easy Control

The EMV series Displays can be controlled, with simple user friendly management software, Can be adjusted color, brightness & color temperature. Built Controller is made for a full screen Video wall with PIP/POP function.



Loop - through



Perfect Color



Reliability



Wide viewing angle



Less Energy



Less Maintenance



RoHS Compliant



CE Certified



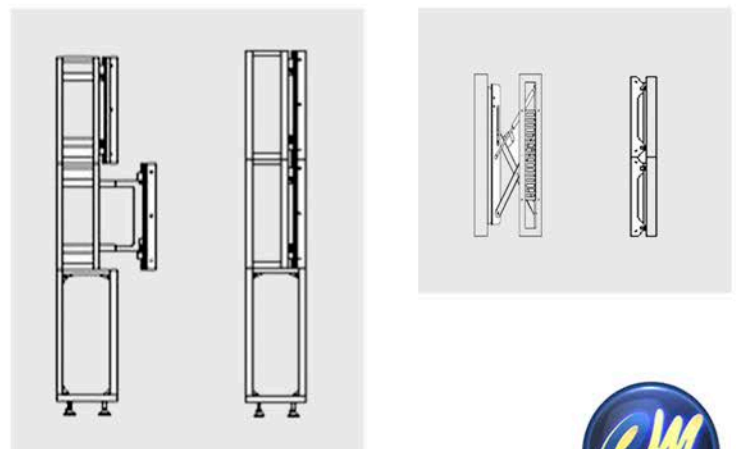
PANEL SPECIFICATION								
Model	LX4901	LX4902	LX4921	LX4922	LX5501	LX5512	LX5522	LX5523
Screen Size(Diagnol)	49"	49"	49"	49"	55"	55"	55"	55"
LCD Panel Type	IPS							
Light Source	Direct LED Back light							
Resolution	1920x1080							
Accept Ratio	16:9							
Brightness	500 cd/m ²	700 cd/m ²	500 cd/m ²	700 cd/m ²	500 cd/m ²	700 cd/m ²	500 cd/m ²	700 cd/m ²
Contrast(Typical)	1500:1	1500:1	1500:1	1500:1	4500:1	4500:1	4500:1	4500:1
Response time(Typ)	6ms							
Frame Rate	60Hz / Auto							
Viewing Angle	178°(H)/178°(V)							
LED Lifetime	> 60,000 hrs							
Colors	8bit / 1.67 M							

PHYSICAL PARAMETER									
Dimension	Width	1077.6 mm	1077.6 mm	1075.6 mm	1075.6 mm	1213.4 mm	1213.4 mm	1211.54 mm	1211.54 mm
	Height	607.8 mm	607.8 mm	605.8 mm	605.8 mm	684.2 mm	684.2 mm	682.34 mm	682.34 mm
Bezel		3.5 mm	3.5 mm	1.8 mm	1.5 mm	3.5 mm	3.5 mm	1.8 mm	1.5 mm
	Top/Left	2.3 mm	2.3 mm	1.2 mm	1.2 mm	2.3 mm	2.3 mm	1.2 mm	1.2 mm
	Right/Bott	1.2 mm	1.2 mm	0.6mm	0.6 mm	1.2 mm	1.2 mm	0.6mm	0.6 mm
Bezel Color		Black							

INTERFACE	
Signal Input	1xVGA, 1xDVI, 1xHDMI, 3xCVBS, 2xBNC (PAL.NTSC)
Signal Output	CVBS (Signal Loop) or DVI (Signal Loop, Optional) 2xBNC (Signal Loop)
Control Input	RS232 IN (RJ45 Connector) / DEBUG ISP, RJ45 In, RJ45 (Control Loop) , IR Remote Control
Control	Software Control Via 2x RS232 (RJ45 Connector)

POWER & ENVIRONMENT								
Power Consumption	140W	160W	140W	160W	160W	200W	160W	200W
Standby Power	≤0.5W							
Power Supply	AC 100-240 V, 50 /60Hz							
Operating Temp.	0° ~ 50°							
Operating Humidity	10 %-90% (Non-condensing)							
Storage Temp.	-20° ~ 60°							
Storage Humidity	10%-90% (Non-condensing)							

PEDAL & MOUNTING		
Structue	Floor Stand	Wall Mount
Dimensions	Width	1022 mm
	Height	577 mm
	Depth	210mm
Maintenance	Front Access	Front Access



EMP-LCW-04 Update Jan 2018

Specifications are subject to change without notice.

© Copyright 2018 Electronics Media Signage Technologies, All rights reserved